

LEVELING DEVICES- Original Series - Delrin Base Stud Style

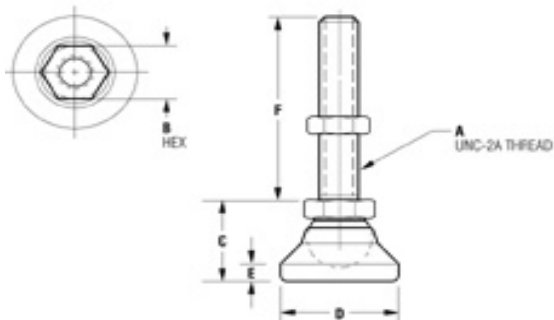
Inch-Standard Length Stud Styles

Delrin® Base with Steel Stud

Vlier Original Stud Style Delrin Base-Steel Stud Leveling Devices feature natural (white) delrin plastic bases that provide protection for floor or surface finishes. Delrin offers high resistance to repeated impacts, moisture, solvents and heat up to 190°F.

Delrin® Base with Stainless Steel Stud

Vlier Original Stud Style Delrin Base-Stainless Steel Stud Leveling Devices additional protection against rust and corrosion.



Original Stud Style - Delrin Base (Steel Stud)

Part No.	Max load (lbs)	A	B	C	D	E	F
NP298S	150	10-32	3/8	17/32	3/4	7/64	1
NP300S	200	1/4-20	1/2	45/64	1	5/32	1-1/4
NP304S	300	3/6-16	5/8	7/8	1-1/4	3/16	2
NP306S	700	1/2-13	3/4	1-1/8	1-7/8	1/4	2
NP308S	1200	5/8-11	7/8	1-1/4	2-1/2	5/16	2
NP310S	1800	3/4-10	1-1/16	1-1/2	3	1/2	2
NP312S	2400	1-8	1-3/8	1-7/8	4	13/32	4-1/4

Original Stud Style - Delrin Base (Stainless Steel Stud)

Part No.	Max load (lbs)	A	B	C	D	E	F
SSNP298S	150	10-32	3/8	17/32	3/4	7/64	1
SSNP300S	200	1/4-20	1/2	45/64	1	5/32	1-1/4
SSNP304S	300	3/6-16	5/8	7/8	1-1/4	3/16	2
SSNP306S	700	1/2-13	3/4	1-1/8	1-7/8	1/4	2
SSNP308S	1200	5/8-11	7/8	1-1/4	2-1/2	5/16	2
SSNP310S	1800	3/4-10	1-1/16	1-1/2	3	1/2	2
SSNP312S	2400	1-8	1-3/8	1-7/8	4	13/32	4-1/4